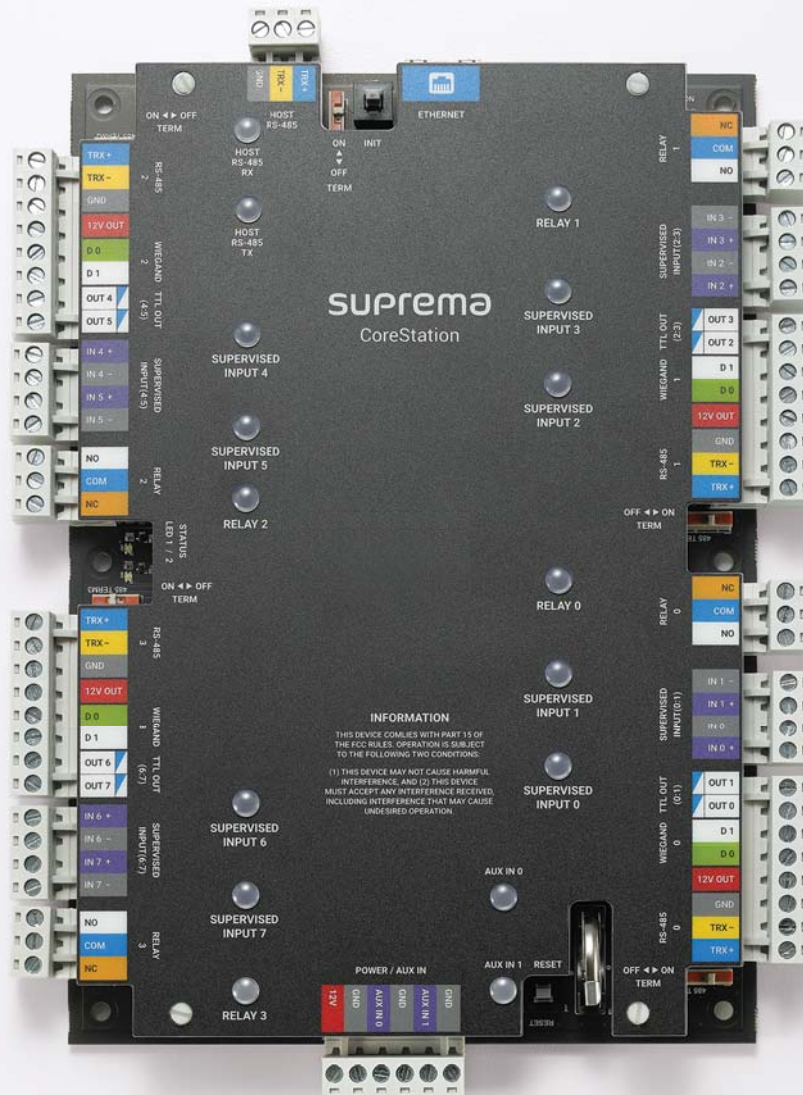


CoreStation

Intelligent Biometric Controller



CoreStation | Suprema CoreStation is an intelligent door controller which provides the advantages of a biometric-enabled security over a centralized access control systems. Designed for mid to enterprise-level systems, the CoreStation handles up to 500,000 users with an incredible fingerprint matching speed of upto 400,000 match/sec. With the provisions of high-performance, biometric readiness, Ethernet communication, CoreStation is capable of offering the full features of the BioStar 2 platform. The device provides centralized biometric template management and also interfaces with complete set of reader technologies including RS-485(OSDP) and Wiegand. With its versatility, CoreStation is a perfect access control solution for both new installations as well as a replacement of existing systems.

CoreStation

Intelligent Biometric Controller

Features



Centralized Biometric Access Control

- Centralized storage of biometric and access group data
- Complete controller functionalities with fingerprint matching
- Multi-port interface for fingerprint /RF readers
 - Supports locks, sensors, RTE, and alarm devices



Enterprise-level Capacity

- Max 500,000 users (1 million fingerprint templates)
 - 500,000 RF cards / 5,000,000 event logs
- High-speed fingerprint matching
 - Max 400,000 match/sec (genuine matching)



Improved Security

- No Ethernet connection to the door reader
- No data storage at the door reader
- Secured communication between server and CoreStation (TLS 1.2)



System Flexibility and Scalability

- Controls up to 132 access points with extension modules (DM-20)
- Elevator Control (OM-120)
- Supports OSDP (Open Supervised Device Protocol)



Fully Compatible with BioStar 2

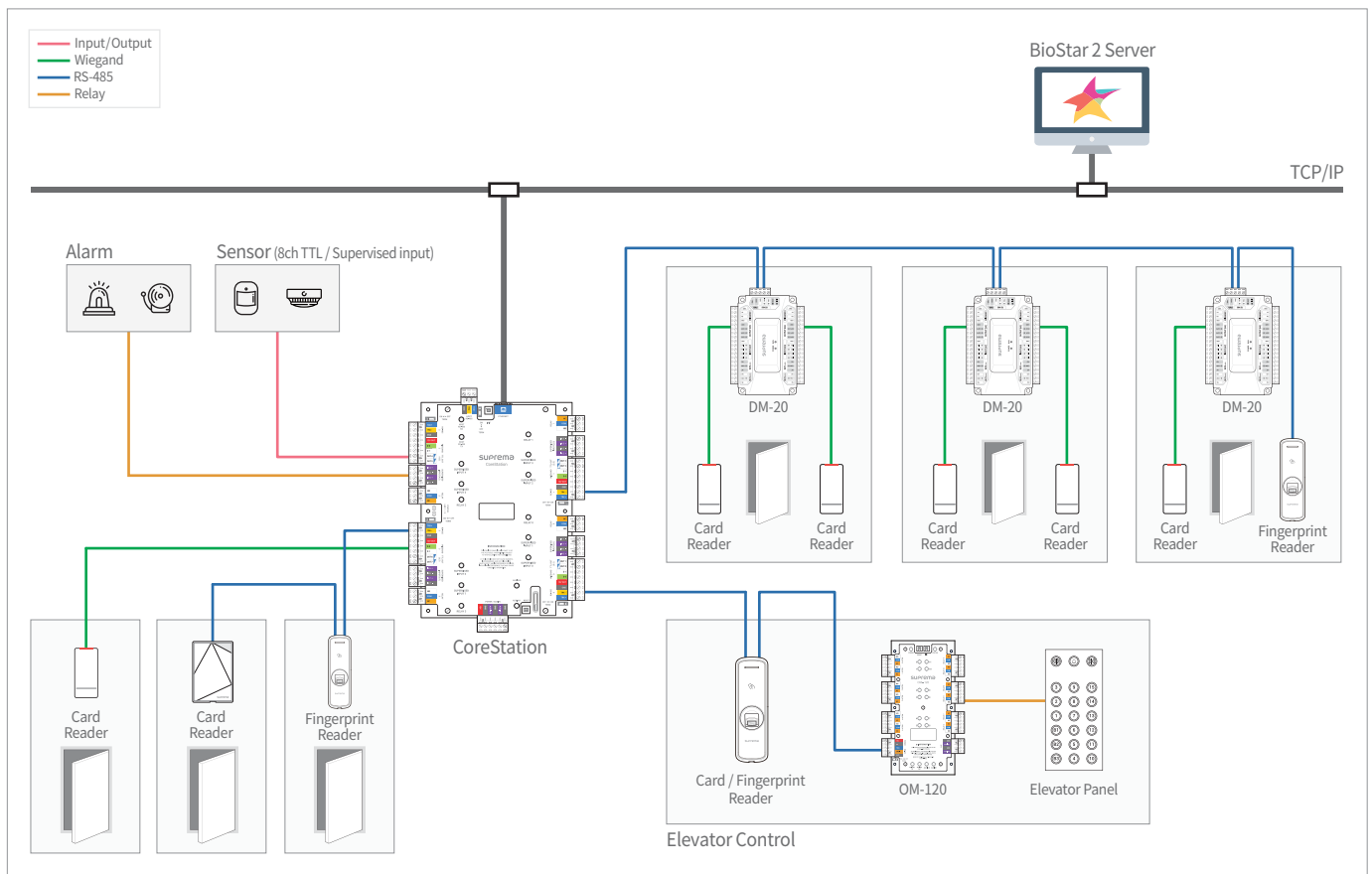
- Easy operation and configuration
- Comprehensive access control and time & attendance functionalities

Specifications

| | |
|-----------------------|-----------------------------------|
| CPU | 1.4 GHz Octa Core |
| Memory | 8GB Flash + 1GB RAM |
| Max. User | 500,000 (1:1), 100,000(1:N) |
| Max. Template | 1,000,000(1:1), 200,000(1:N)* |
| Max. Logs | 5,000,000(text) |
| Serial Comm. Protocol | OSDP V2 |
| Ethernet | 10/100Mbps, auto MDI/MDI-X |
| RS-485 | 5ch |
| Wiegand | 4ch input or output (selectable) |
| Relay | 4 relays |
| TTL Input | 8ch (Supervised input selectable) |
| TTL Output | 8ch |
| AUX Input | 2ch (AC Power Fail, Tamper) |
| Operating Temperature | 0°C ~ 50°C |
| Dimensions (WxHxD,mm) | 150 x 214 x 21 mm |
| Power | DC 12V |
| Power Output (Reader) | 4ch (DC 12V) |
| Certification | CE, FCC, KC, RoHS, WEEE, REACH |

* Two templates per finger

System Configurations



suprema
BIOMETRICS & SECURITY

Suprema Inc.

17F Parkview Tower, 248, Jeongjail-ro, Bundang-gu, Seongnam-si, Gyeonggi-do, 13554, Rep. of KOREA

Tel: +82 31 783 4502 | Fax: +82 31 783 4503 | Inquiry: sales_sys@supremainc.com | www.supremainc.com

©2017 Suprema Inc. Suprema and identifying product names and numbers herein are registered trade marks of Suprema, Inc. All non-Suprema brands and product names are trademarks or registered trademarks of their respective companies. Product appearance, build status and/or specifications are subject to change without notice.
[AHL-CS40-171027-01-EN]